

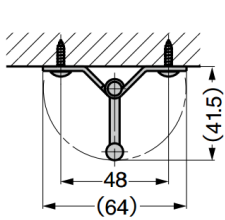
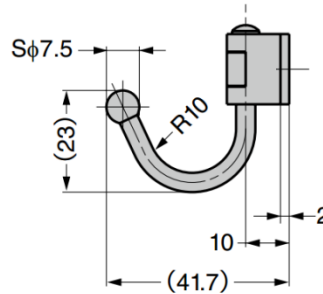
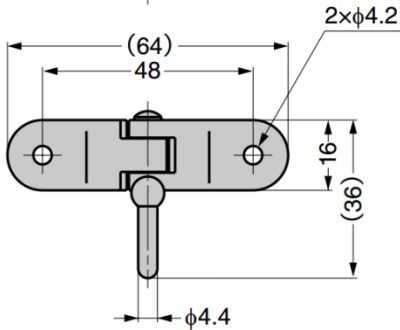
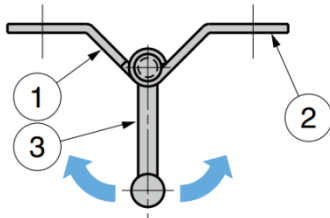
GTZ-360 Butterfly Swing Hook

Features

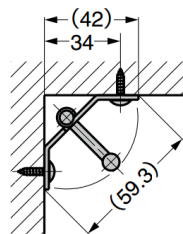
- Can be installed on flat surface, corner and edge, etc.
- Can be used in various applications
- Rounded tip provides safety

Parts Included

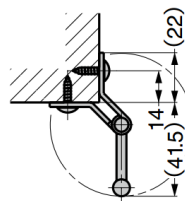
- Truss head tapping screw 4×12 (SUS)



Flat surface mount (180°)



Corner mount (270°)



Edge mount (90°)

No.	Part Name	Material	Finish
①	Leaf (L)	Stainless Steel (SUS304)	Barrel Polished
②	Leaf (R)		
③	Hook		Polished

Part No.	Flat Surface Mount Load Capacity		Corner Mount Load Capacity		Edge Mount Load Capacity	
GTZ-360	60 N	6 kg	55 N	5.6 kg	29 N	3 kg